



MONITEQ, Inc.

Model CC-8421 Ver. 2.0
**Single Door Access
Control System**



- **3, 4, 5, or 6-digit PIN (1M combinations)**
- **Use with magnetic and electric locks**
- **Effective PIN security and door monitoring and control functions**
- **Automatic battery charger and low-battery warning**
- **Stainless steel keypad with spy-shield**
- **All inputs/outputs surge protected**

Crypto-Lock is a versatile, easily installed and operated single door access control system capable of operating virtually any electric or magnetic lock. Its microcontroller based design provides a high level of PIN security and comprehensive door monitoring functions.

The unit includes a built-in 12Vdc and 24Vdc, 2A power supply to power electric and magnetic locks, eliminating the need for separate power supply units. The power supply provides either 12

or 24 Vdc at 1A to power most commercial magnetic and electric locks*.

The power supply includes a battery charge and monitoring circuit that automatically maintains batteries in a fully charged condition and activates audible and visual warnings when the charge level is low. Two 12V, 7AH sealed lead acid batteries (optional) can be housed in the enclosure.

The stainless steel keypad includes a green LED which illuminates when the door is released. A visitor button on the keypad activates an internal annunciator and also generates an output voltage for an external sounding device. A stainless steel piezo keypad is available as an option.

A high level of security is provided by using up to six PIN digits and by unique features that protect against random number attacks. Effective door monitoring and control is provided by an anti-follow through feature and by door propped and forced door alarms.

Installation and set-up are readily accomplished using the wiring diagram and programming guide inside the enclosure door. A slide switch sets the output voltage to either 12 or 24 Vdc. The valid PIN and all door monitoring and control functions are set within a programming mode that can be activated only by authorized personnel with access to the control unit.

* Moniteq Models CC-8521A, B or C are recommended for use with the Sargent & Greenleaf Brute* electric lock and other locks requiring greater than 1A continuous and up to 16A in-rush current.

MONITEQ, INC.

700 N. Fairfax St., Alexandria, VA 22314 USA * Tel: 1-703-549-1122, 1-800-989-9891 * Fax 1-703-549-1090
e-mail: info@moniteq.com, web: www.moniteq.com

Specifications

7 MAR 05

Power required: 115 Vac, 60 Hz, 60W

Output: 12 or 24 Vdc, 1A continuous

Relay contacts: 10A, SPDT (Form C)

Battery back-up: 12Vdc or 24Vdc, automatic transfer and charging (batteries optional)

Battery monitoring: Warning lamp and alarm activate when battery is low

PIN code length: 3, 4, 5 or 6 digits

Open duration: 3 to 60 seconds

Penalty function: Invalid digits temporarily disable operation

Penalty time: Adjustable, 3 to 60 seconds, defaults to 60 seconds after third invalid PIN

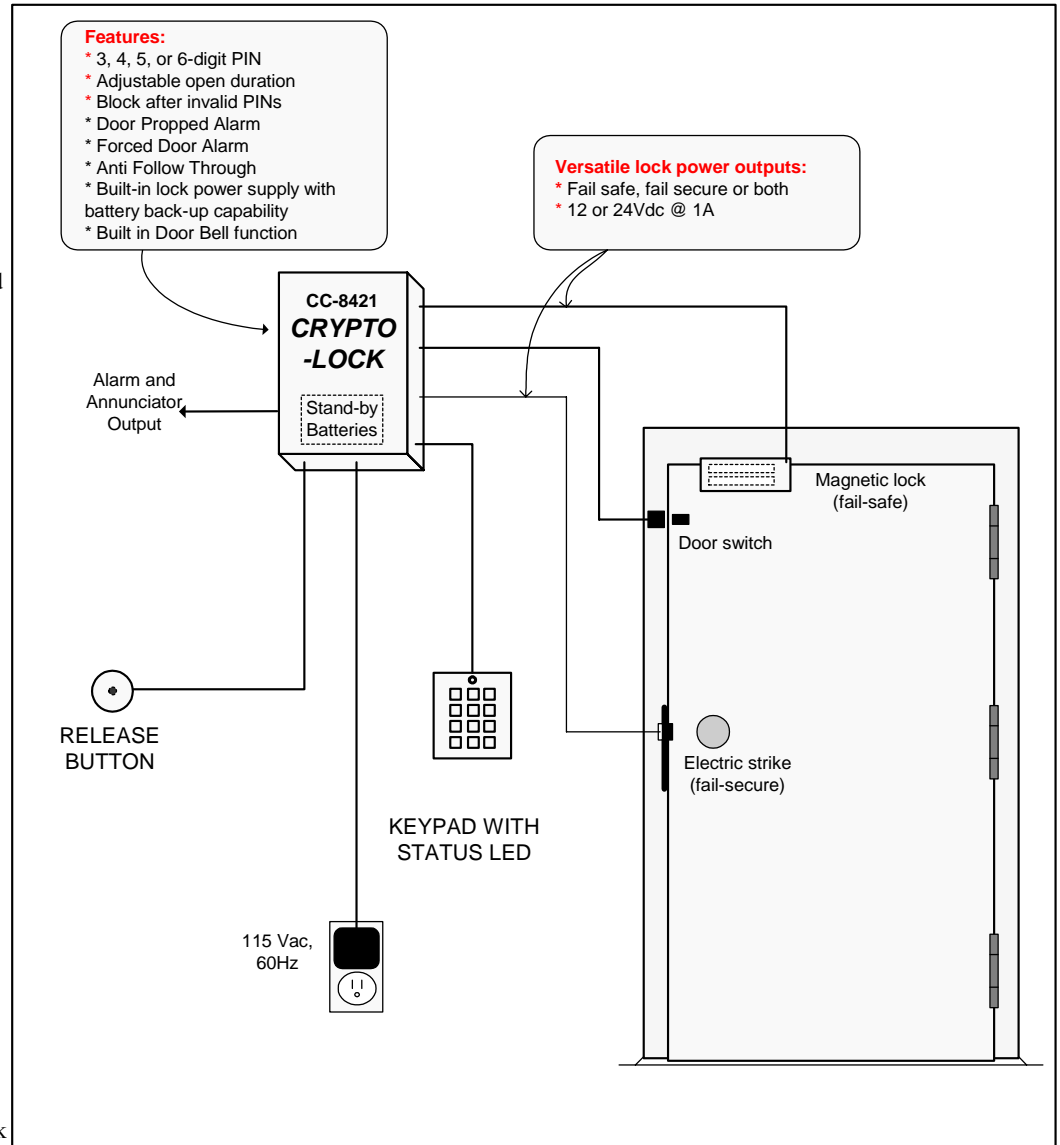
Door monitoring functions: Anti-Tailgating and door propped and forced door alarms

Door contact input: Dry contact closure

Remote release: External dry contact closure

Keypad cable: 10-conductor, #22
Supplied Keypad cable: 10 ft.
Max. length: 500 ft.

Enclosure: 19 gauge steel, powder coated, gray color, knock-outs for conduit, cam-lock and holes for pad lock
Dimensions: 12H x 9W x 4.5D in.



Ordering Information (Part Number: Description)

CC-8421 Ver.2.0: Crypto-Lock single door access control system including control unit, 10-button keypad in stainless steel spy-proof housing with 10 ft. cable, user code cannot be re-programmed, changed or revealed in any way from keypad. Includes penalty time adjustment (3-60 sec.), open time adjustment (3-60 Sec.), code length adjustment (3, 4, 5 or 6 digits, output voltage 12 or 24 Vdc (switch selectable), 1A continuous, fail-safe and fail-secure lock outputs, visitor annunciator and output signal, low battery warning lamp, beeper and output signal. Door monitoring functions include anti-tailgating and door propped and forced door alarms. Metal enclosure accommodates two 12V, 7AH batteries with cam lock and holes for padlock, input power 115Vac, 60Hz. Supplied with instruction manual, wall transformer and mounting hardware.

Options and Accessories

CC-8521BP	Substitute solid stainless steel piezo keypad
CC-BATT	12Vdc, 7AH rechargeable battery (two required)
CC-BRUTE	Heavy-duty surface mount electric lock

MONITEQ, INC.

700 N. Fairfax St., Alexandria, VA 22314 USA * Tel: 1-703-549-1122, 1-800-989-9891 * Fax 1-703-549-1090
e-mail: info@moniteq.com, web: www.moniteq.com