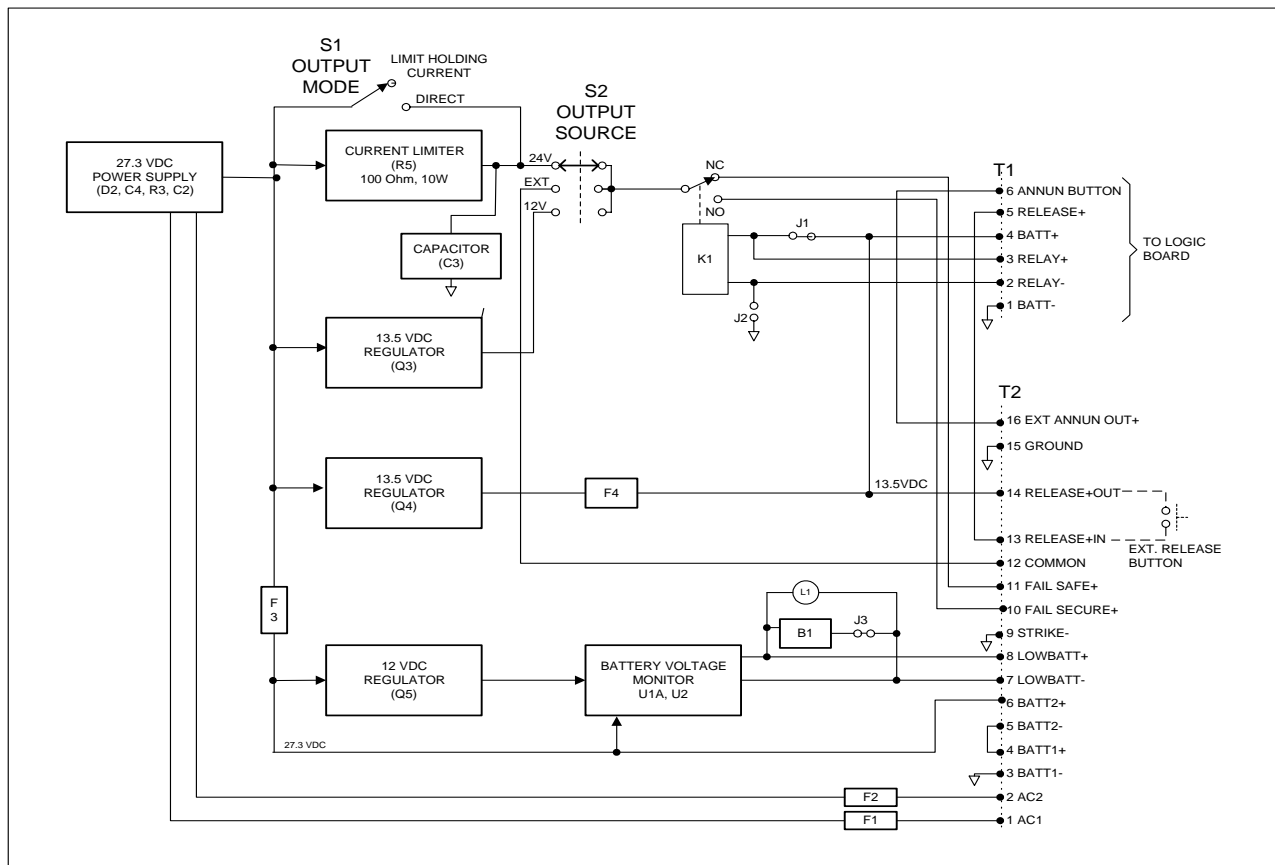


Logic Board Block Diagram



Power Supply Board Block Diagram