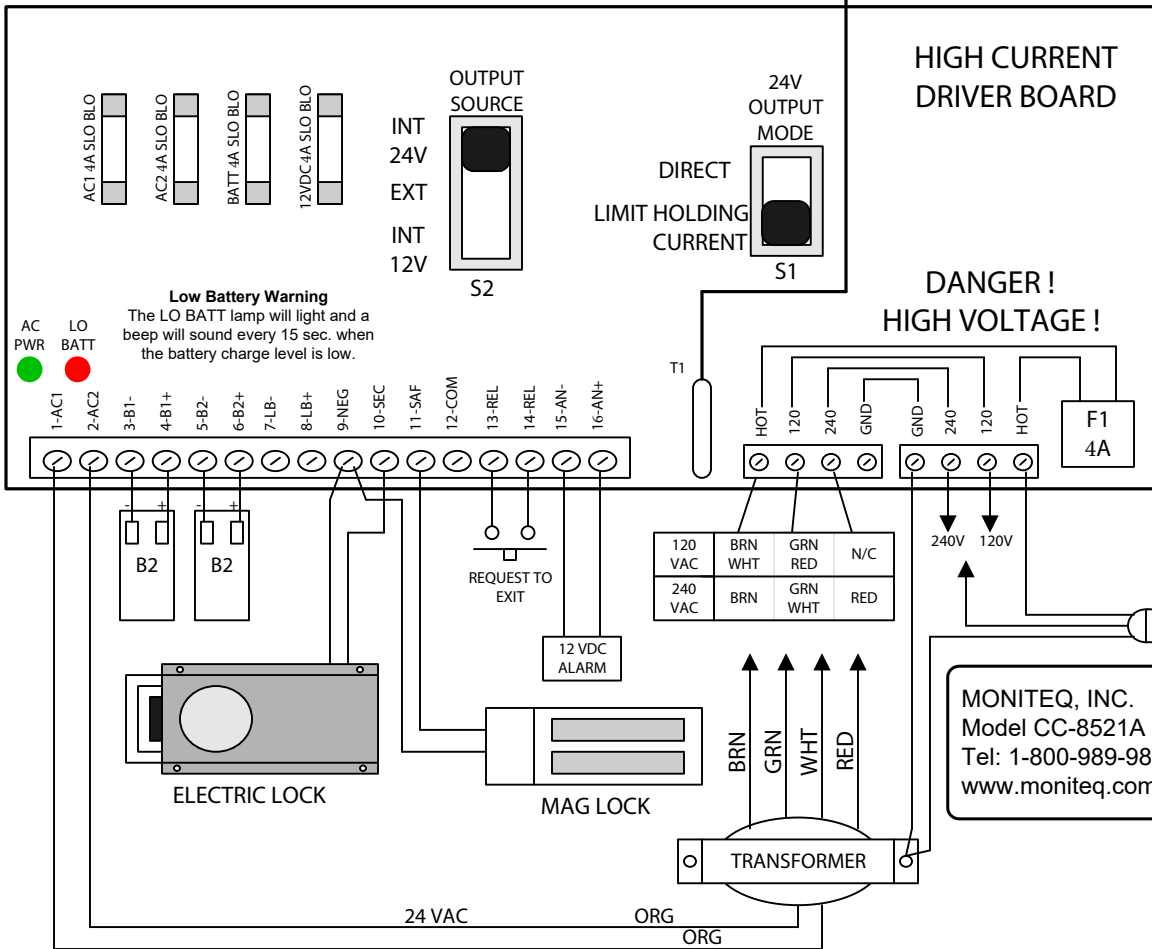


TO KEYPAD



Operator's Quick Guide

1. Set the valid PIN number by first setting the NUMBER OF DIGITS switch (3, 4 or 5 digits), then setting the valid PIN using the slide switches. Set only one number for each digit position.
2. Use the DURATION control to set the amount of time (3 to 60 sec.) that the lock remains released.
3. Use the PENALTY control to set the amount of time (3 to 60 sec.) that keypad entries will be ignored after entry of an invalid digit.
4. **Caution:** Consult the Instruction Manual before attempting any other adjustments. (Instruction Manual is available at www.moniteq.com)